

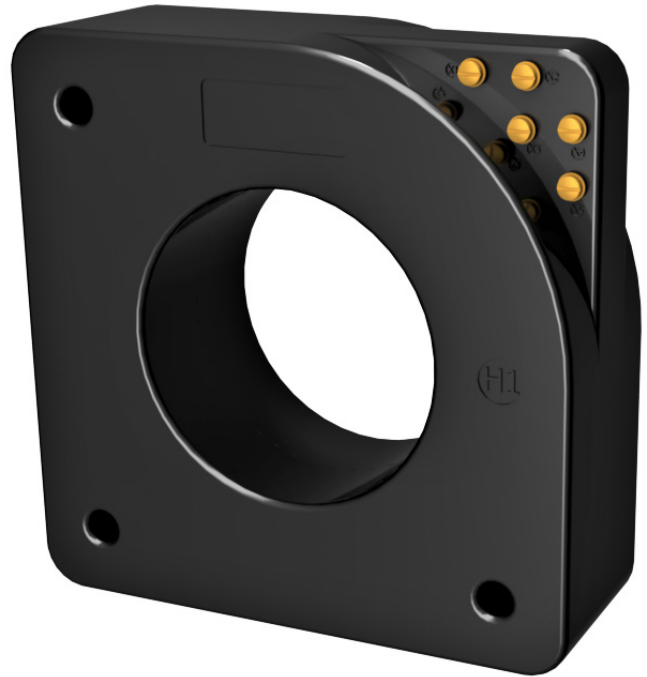
# MERAMEC® CURRENT TRANSFORMERS

NEW FROM MERAMEC - LV CTs FOR SWITCHGEAR APPLICATIONS

## MODEL CTX-525

### FEATURES AND BENEFITS

- **Every CT** is fully tested and compliant to IEEE 57.13 - certified test reports provided "upon request"
- Meramec's industry leading **99.98% quality rating**
- We offer **ON-TIME** and **WHEN-NEEDED** delivery performance to drive down inventory needs
- **Custom-engineered** units available
- **Relaying** and **metering** capabilities
- IEC version available
- Typical excitation curves available upon request



### CTX-525 General Technical Data

APPLICATION	Relaying and Metering
INNER DIAMETER	5.25" [133 mm]
PERIMETER DIMENSIONS	9.88" [251 mm]
DEPTH	3.50" [89 mm]
PRIMARY CURRENTS	50A - 5000A for SR, 600A - 2000A for MR
SECONDARY CURRENT	5 amps
RATED FREQUENCY	60Hz
RELAYING CLASS*	C10 up to C400
METERING ACCURACY*	0.3 thru 4.8
BASIC INSULATION LEVEL	0.6kV, 10kV BIL Full Wave
MECHANICAL RATING	180 x Rated Current
THERMAL RATING	80 x Rated Current, 1 sec.
APPROXIMATE WEIGHT	31 lbs [14 kg]

### OTHER OPTIONS AVAILABLE UPON REQUEST

\*CUSTOMIZABLE

Scan the QR code or visit  
[meramecusa.com](http://meramecusa.com)  
for more information

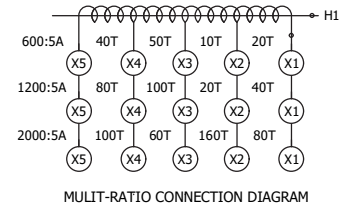
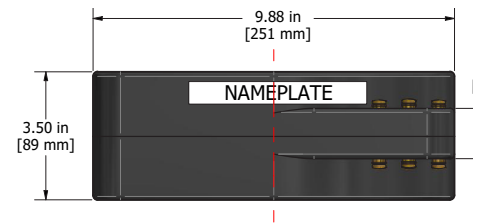
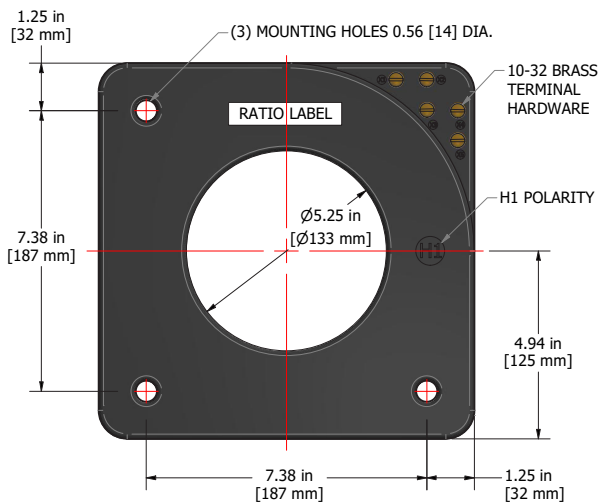


[hubbellpowersystems.com](http://hubbellpowersystems.com)



For product inquiries, please contact your local sales representative, customer service or email us at [InstrumentTransformers@Hubbell.com](mailto:InstrumentTransformers@Hubbell.com)

©2021 Hubbell Incorporated.  
Because Hubbell has a policy of continuous product improvement, we reserve the right to change design and specifications without notice.  
Printed in the U.S.A. | SF\_02\_063E



CATALOGUE NUMBER	RATIO	RELAY CLASS	IEEE METERING CLASS					RATING FACTOR	
			0.1	0.2	0.5	0.9	1.8	30C Ambient	55C Ambient
<b>SINGLE-RATIO</b>									
CTX-525SR-500	50:5	C10	2.4	4.8	-	-	-	1.33	1.0
CTX-525SR-750	75:5	C10	1.2	2.4	4.8	-	-	1.33	1.0
CTX-525SR-101	100:5	C20	0.6	1.2	4.8	4.8	-	1.33	1.0
CTX-525SR-151	150:5	C20	0.6	0.6	1.2	2.4	4.8	1.33	1.0
CTX-525SR-201	200:5	C20	0.3	0.3	0.6	1.2	2.4	1.33	1.0
CTX-525SR-251	250:5	C50	0.3	0.3	0.6	0.6	1.2	1.33	1.0
CTX-525SR-301	300:5	C50	0.3	0.3	0.6	0.6	1.2	1.33	1.0
CTX-525SR-401	400:5	C100	0.3	0.3	0.3	0.6	0.6	1.33	1.0
CTX-525SR-501	500:5	C100	0.3	0.3	0.3	0.6	0.6	1.33	1.0
CTX-525SR-601	600:5	C100	0.3	0.3	0.3	0.3	0.3	1.33	1.0
CTX-525SR-801	800:5	C200	0.3	0.3	0.3	0.3	0.3	1.33	1.0
CTX-525SR-102	1000:5	C200	0.3	0.3	0.3	0.3	0.3	1.33	1.0
CTX-525SR-122	1200:5	C200	0.3	0.3	0.3	0.3	0.3	1.33	1.0
CTX-525SR-152	1500:5	C200	0.3	0.3	0.3	0.3	0.3	1.33	1.0
CTX-525SR-162	1600:5	C200	0.3	0.3	0.3	0.3	0.3	1.33	1.0
CTX-525SR-202	2000:5	C200	0.3	0.3	0.3	0.3	0.3	1.33	1.0
CTX-525SR-252	2500:5	C400	0.3	0.3	0.3	0.3	0.3	1.33	1.0
CTX-525SR-302	3000:5	C400	0.3	0.3	0.3	0.3	0.3	1.33	1.0
CTX-525SR-322	3200:5	C400	0.3	0.3	0.3	0.3	0.3	1.33	1.0
CTX-525SR-402	4000:5	C400	0.3	0.3	0.3	0.3	0.3	1.33	1.0
CTX-525SR-502	5000:5	C400	0.3	0.3	0.3	0.3	0.3	1.0	0.8
<b>MULTI-RATIO</b>									
CTX-525MR-601	600:5	C100	0.3	0.3	0.3	0.3	0.6	1.33	1.0
CTX-525MR-122	1200:5	C200	0.3	0.3	0.3	0.3	0.3	1.33	1.0
CTX-525MR-202	2000:5	C200	0.3	0.3	0.3	0.3	0.3	1.33	1.0

